

VU-10 High Resolution LCD Flat Panel Monitor

The VU-10 is a standard resolution LCD flat panel monitor. It's versatility and space saving profile make it a perfect match for any Dage-MTI camera and any application. Enjoy powerful performance in a sleek flat panel package.



FEATURES

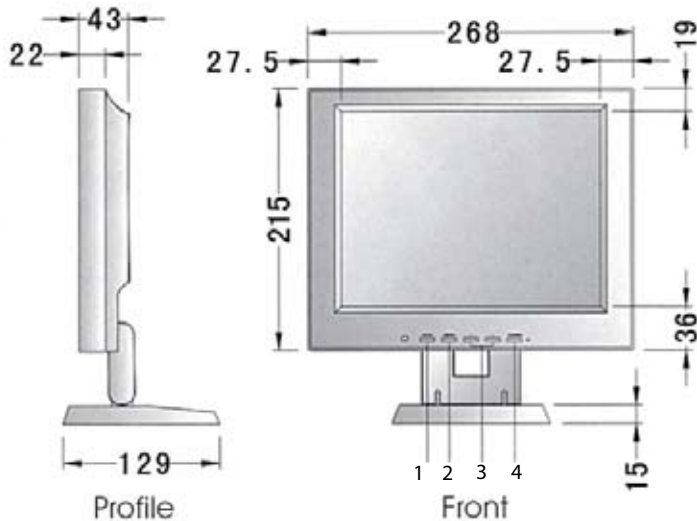
- 10" 4:3 LCD Monitor
- Brightness 250cd/m
- Contrast 450:1
- Rack Mount Available
- Inputs Composite, S-Video, VGA
- 2D Comb Filter
- Dynamic Noise Reduction

SPECIFICATIONS

System	PAL, NTSC	
VGA	Display Panel	LCD
	Resolution	800 X 600
	Brightness	250CD/m ²
	Contrast	450:1
	Response Time	16ms
	Viewing Angle	150°/140°
Video Input/Output	Composite Video Input	1 channel BNC input 1.0Vp-p 75Ω, 1 channel output
	S-Video	1 channel input (Y/C), 1 channel looping output
	VGA	1 channel input
Audio	2 channel in, 1 channel out	
Menu	OSD	
Dimension	268 X 215 X 43 (mm)	
Weight	2.5kg	
Power Source	Voltage	AC 100 ~230V 50 ~ 60H z
	Power	Max: 10W
Operating Environment	Temperature: 0 ~ 40° C; Operating Humidity: 10% ~ 85%	

VU-10 FLAT PANEL LCD MONITOR

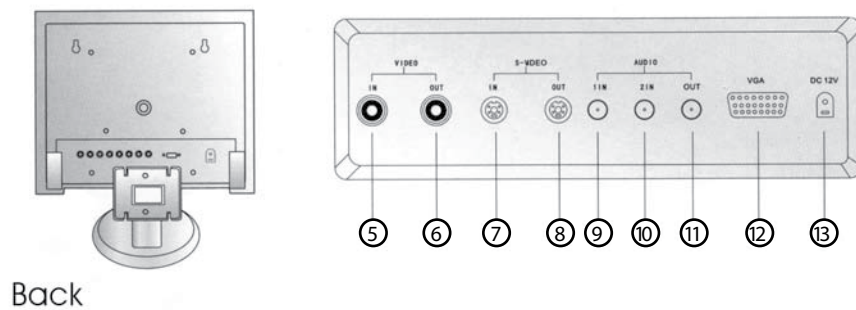
FRONT PANEL CONTROLS



1. Power
2. OSD On/Off
3. a. OSD off: adjust volume (volume range: 0-100)
b. OSD on: select/forward/backward
c. Changes current value or function of selected item
4. a. Input select: video, S-video and VGA channel
b. OSD on: confirm selected item

REAR PANEL CONTROLS

5. Video IN
6. Video OUT
7. S-Video IN
8. S-Video OUT
9. Audio-1 IN
10. Audio-2 IN
11. Audio OUT
12. VGA-IN
13. VDC Power input



Dage-MTI (219) 872-5514

Call for additional product information or free product demos.
Visit online at www.dagemti.com.